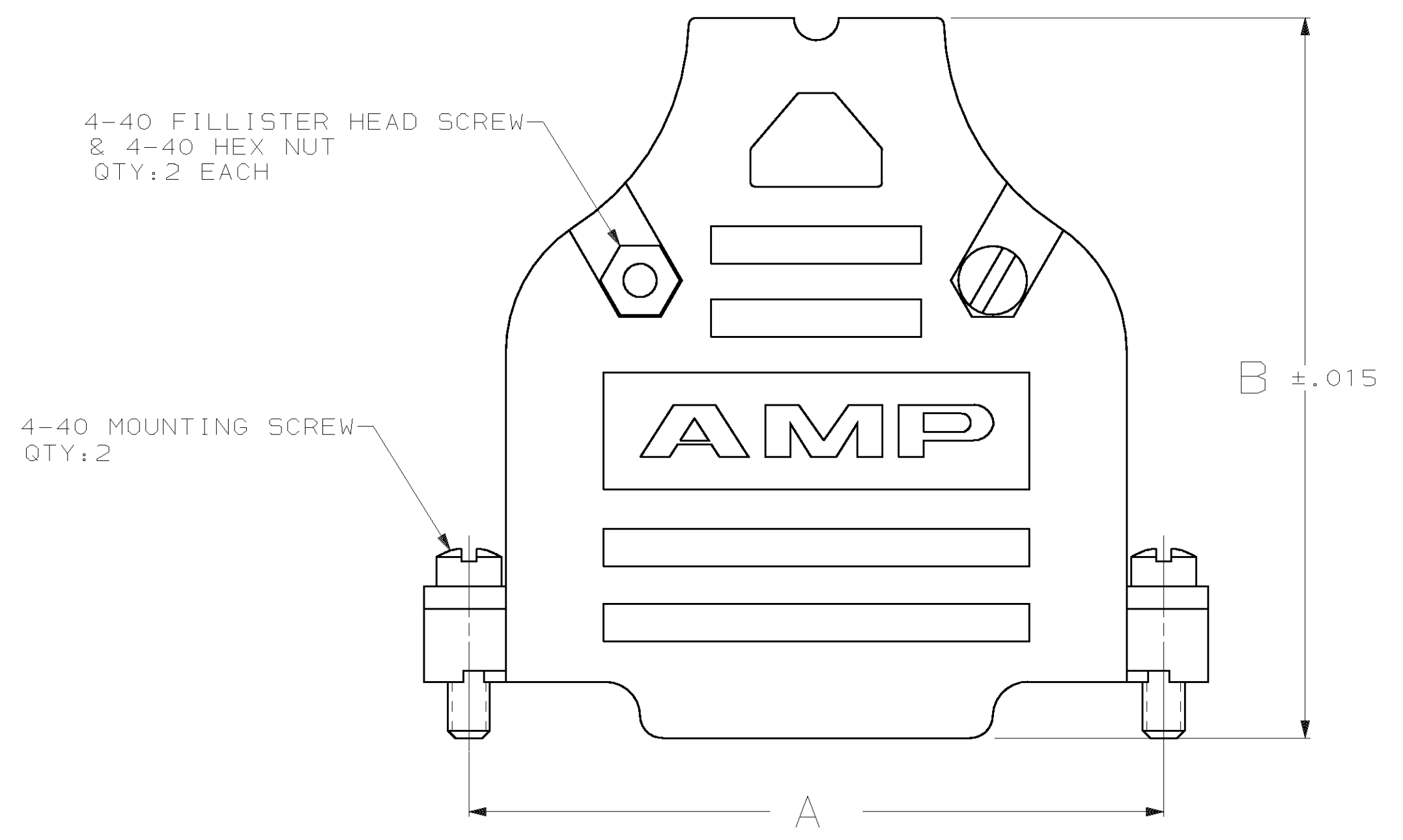
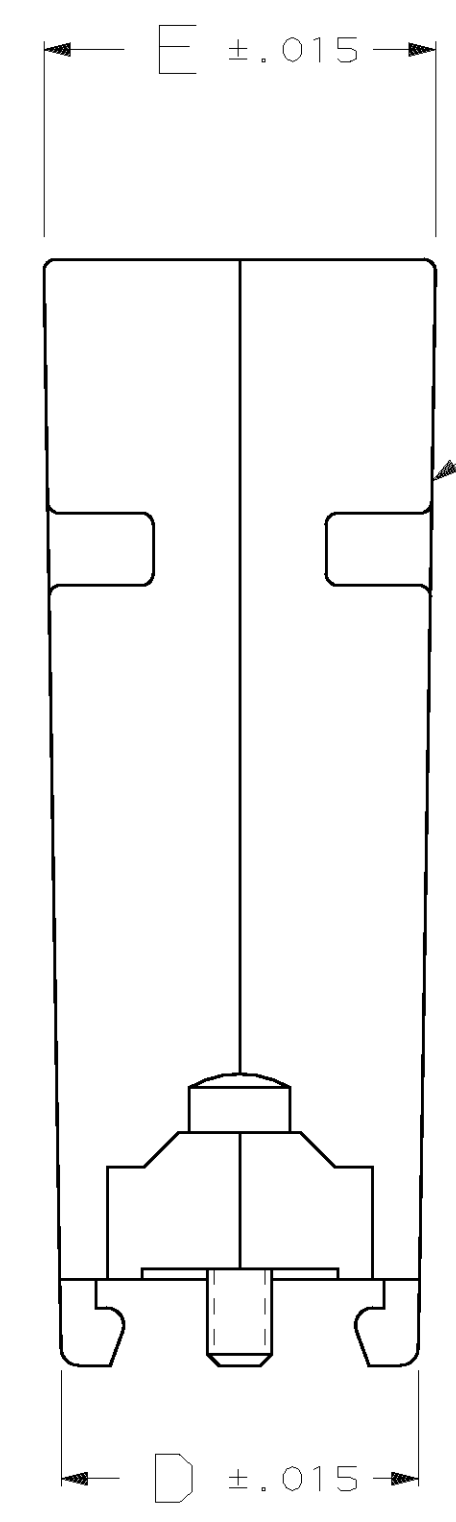
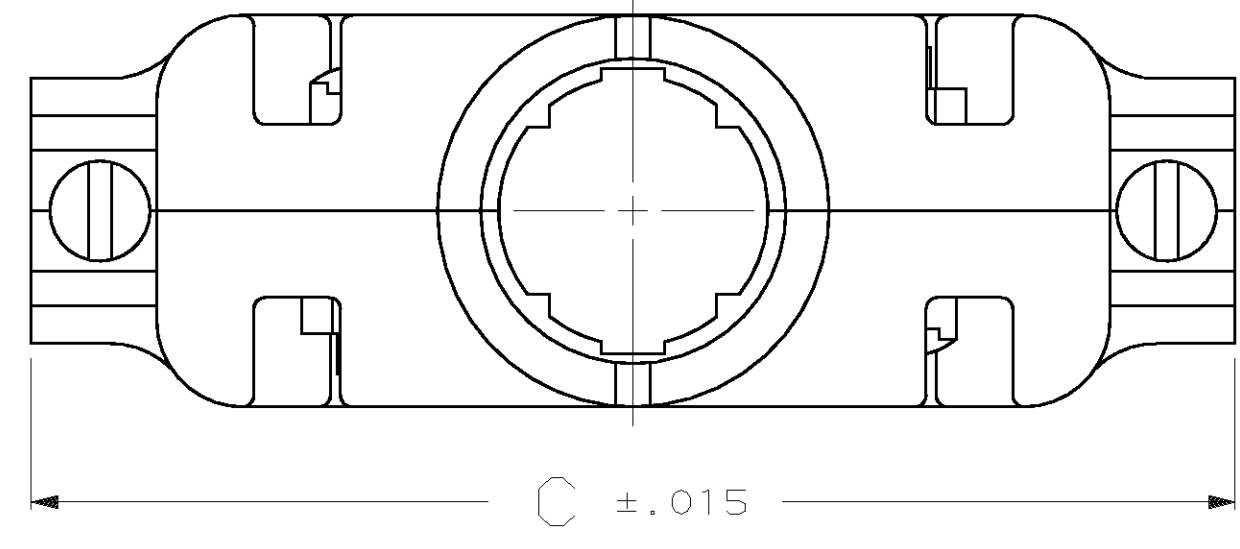
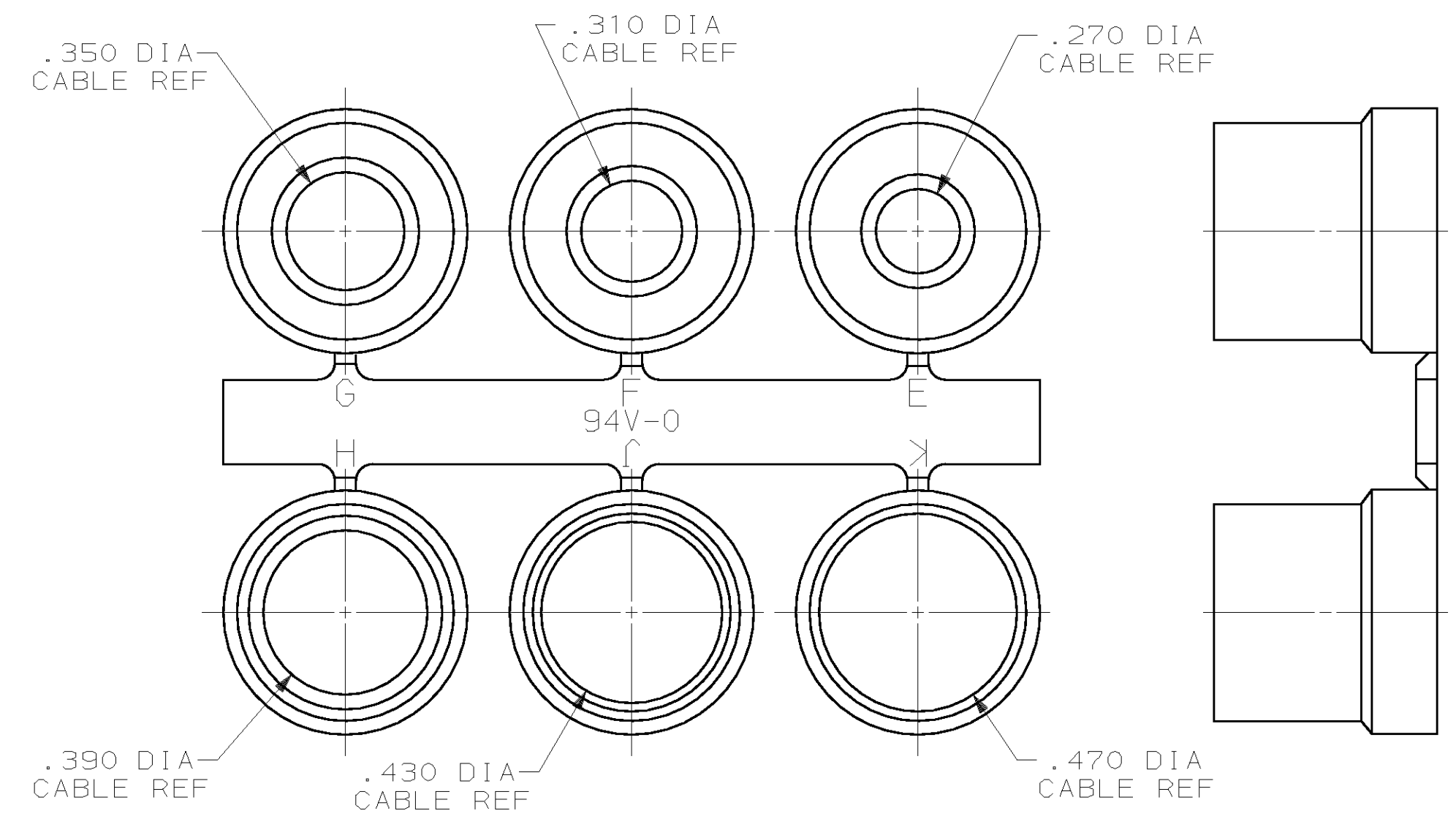
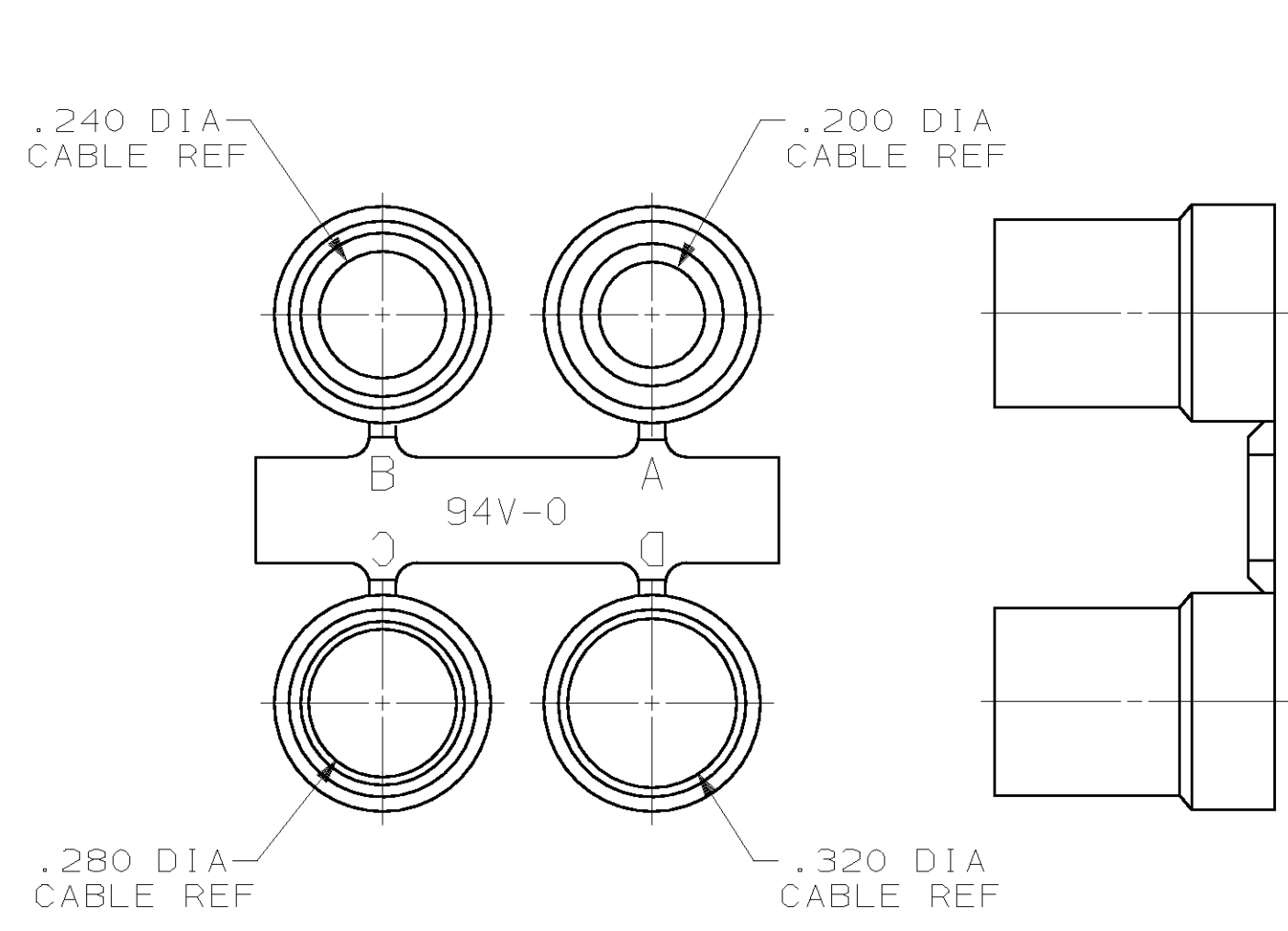


LOC	DIST	P	F	ZONE	LTR	DESCRIPTION	DATE	APPD
GP	00					RELEASED	-	-
						A REVISED PER ECN-2422	8/24/88	SW
						B REVISED PER ECN BD5388	11/27/91	-
						C ADDED -6, NPR 4456, WAS 92-5897-10-1	10/30/92	SB
						D REV PER EC 0020-117-93	03/17/93	SB
						E REV PER EC 0020-995-93	08/11/93	SB
						F REV PER EC 0020-1344-93	11/01/93	SB
						G RLSE -7 EC 0020-220-94, WAS 93-5897-1-1	04/11/94	LF
						H OBS -7 PER EC 0U1D-0245-00	05 FEB 01	DK
						J REV PER EC 0U1D-0247-00	16 JAN 02	JR



- 1 PARTS PACKAGED UNASSEMBLED AS A UNIT KIT.
- 2 CABLE CLAMPS: ABS COMPOUND, SEE TABLE FOR COLOR, FILLISTER HEAD SCREWS, HEX NUTS & MOUNTING SCREWS: STEEL PER ASTM A108, GROMMETS: FLEXIBLE PVC, UL 94V-0 RATED, COLOR: BLACK.
- 3 CABLE CLAMPS: UNPLATED, FILLISTER HEAD SCREWS, HEX NUTS & MOUNTING SCREWS: ZINC PLATED PER ASTM B633, TYPE III, CLASS SC1, CLEAR CHROMATE.
- 4 PARTS BULK PACKAGED UNASSEMBLED.



OBSOLETE	TYPE	CABLE CLAMP COLOR	E	D	C	B	A	SIZE	PART NO
OBSOLETE	TYPE 1	BLACK	.570	.630	1.215	1.910	.984	1	748678-7
OBSOLETE	TYPE 1	GRAY	.620	.630	1.545	1.910	1.312	2	748678-6
	TYPE 2	BLACK	.900	.730	2.644	1.920	2.406	5	748678-5
	TYPE 2	BLACK	.800	.620	2.738	1.920	2.500	4	748678-4
	TYPE 2	BLACK	.680	.640	2.090	1.920	1.852	3	748678-3
	TYPE 1	BLACK	.620	.620	1.545	1.910	1.312	2	748678-2
	TYPE 1	BLACK	.570	.630	1.215	1.910	.984	1	748678-1

DO NOT SCALE PRINT. UNLESS SPECIFIED DIMENSIONS IN INCHES TOLERANCES ON :
 2 PLC DEC ±
 3 PLC DEC ± .005
 ANGLES ±

DR 5/4/88 S.WELDON
 CHK 5/4/88 W.G.LENKER
 APPD 5/6/88 R.WHYNE
 APPD 5/6/88 V.KUMAR

MATERIAL 2
 FINISH 3
 WEIGHT

AMP INCORPORATED
 Harrisburg, Pa. 17105

NAME
 KIT, CABLE CLAMP,
 180 DEGREES EXIT, UNPLATED, BLACK,
 W/ GROMMETS, AMPLIMITE™

SIZE D
 FSCH NO 00779
 DRAWING NO 748678
 SCALE 3:1
 SHEET 1 OF 1